



Consumer Product Service
Manager of Technical Support
TECH TIP

number 6

MODEL: 810 Analog Disk Drive

DATE: 11/17/82

SUBJECT:

Data Reliability on the 810 Analog Disk Drive

DESCRIPTION:

810 Analog Drives (those manufactured after August 1981) that exhibit diskette compatibility problems, and/or troubles in formatting new diskettes, should have the Write Current Resistor (R218) replaced with a 1.4K ohm resistor.

Part Removed:

2K ohm 1/4W 5% Resistor Atari P/N 14-5202

Replace With:

1.4K ohm 1/4W 2% Resistor Atari P/N 14-2142

Part Location:

810 Analog Board location R218

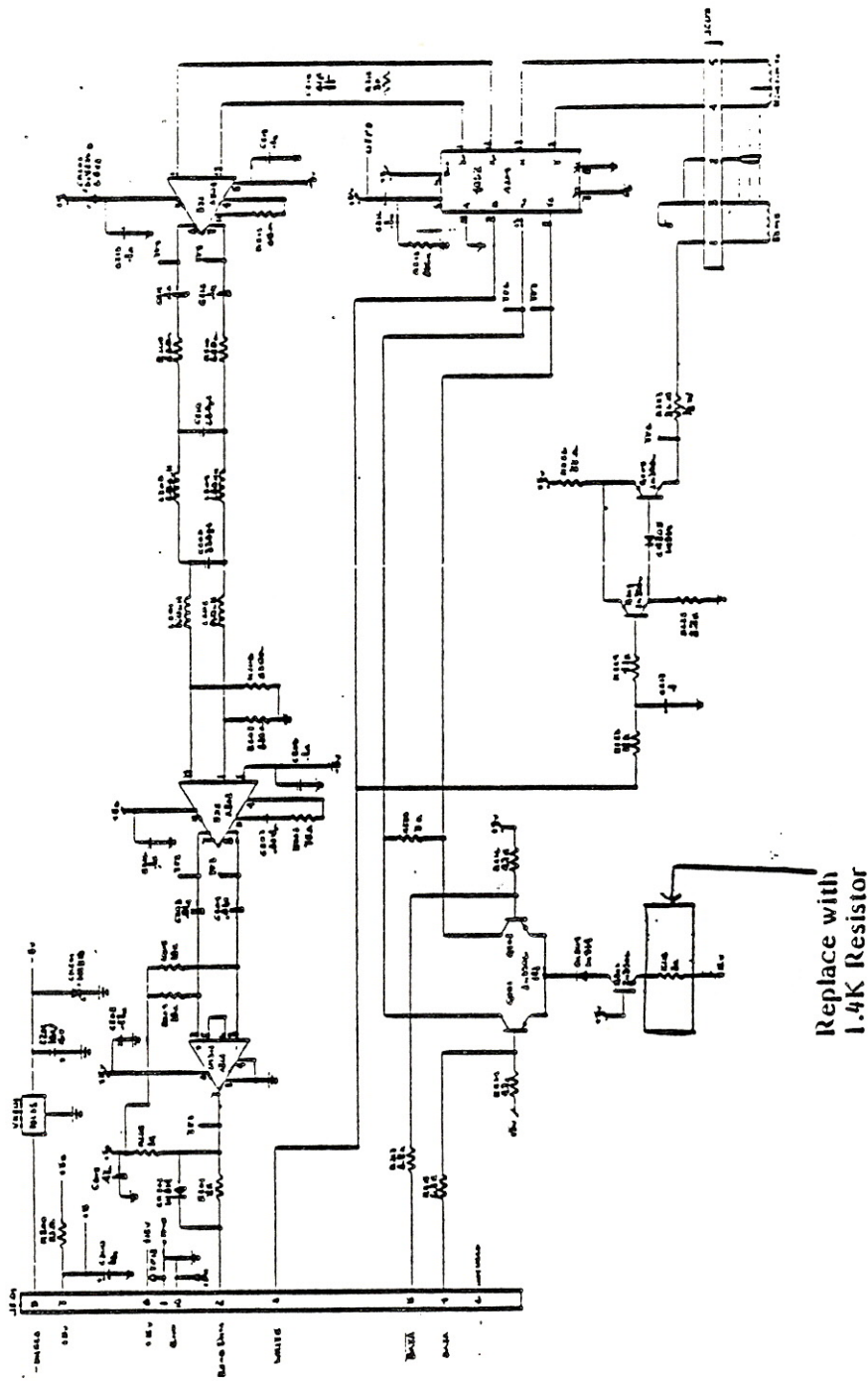
TESTING AND TROUBLESHOOTING:

Follow the Diagnostic Flowchart and Troubleshooting Guide for the Analog Disk Drive in the 810 Service Manual.

ENCLOSURES:

Schematic and Silkscreens:

Analog Board — CA017935 Rev. 5



Schematic Analog Board.